



**NEW HANOVER COUNTY
FINANCE DEPARTMENT, PURCHASING DIVISION
ADDENDUM 2
QUESTIONS AND RESPONSES**

From: Lena Butler, Purchasing Supervisor
To: All Bidders
Project: RFB # 22-0625 HANOVER PINES NATURE PARK
Date: July 22, 2022

This Addendum is related to the County's Request for "RFB # 22-0625 HANOVER PINES NATURE PARK" and is hereby made a part of said Request for Bids to the same extent as though it were originally therein.

1. Are there any plans for the Nature Viewing Deck? One plan referred to the Architectural plans, but I didn't see anything.
 - **Find attached to this addendum sheet S2.02 which includes details for the nature viewing deck.**
2. Are there any liquidated damages on project?
 - **Substantial Completion: Contractor shall pay Owner \$250 for each day that expires after the time (as duly adjusted pursuant to the Contract) specified above for Substantial Completion, until the Work is substantially complete. We have been working with contractors to expedite submittal reviews and, where long lead time items impact project completion, we ask for documentation from the manufacturer.**
3. How long is the completion time?
 - **Work will be substantially complete 9 months from the execution of the contract documents from all parties.**
4. Do you have a CAD file for the Hanover Pines Nature Park project? One of our surveyors were asking if there was one available?
 - **Yes, all CAD files will be provided to the selected contractor.**

End of Addendum 2

Release Dates

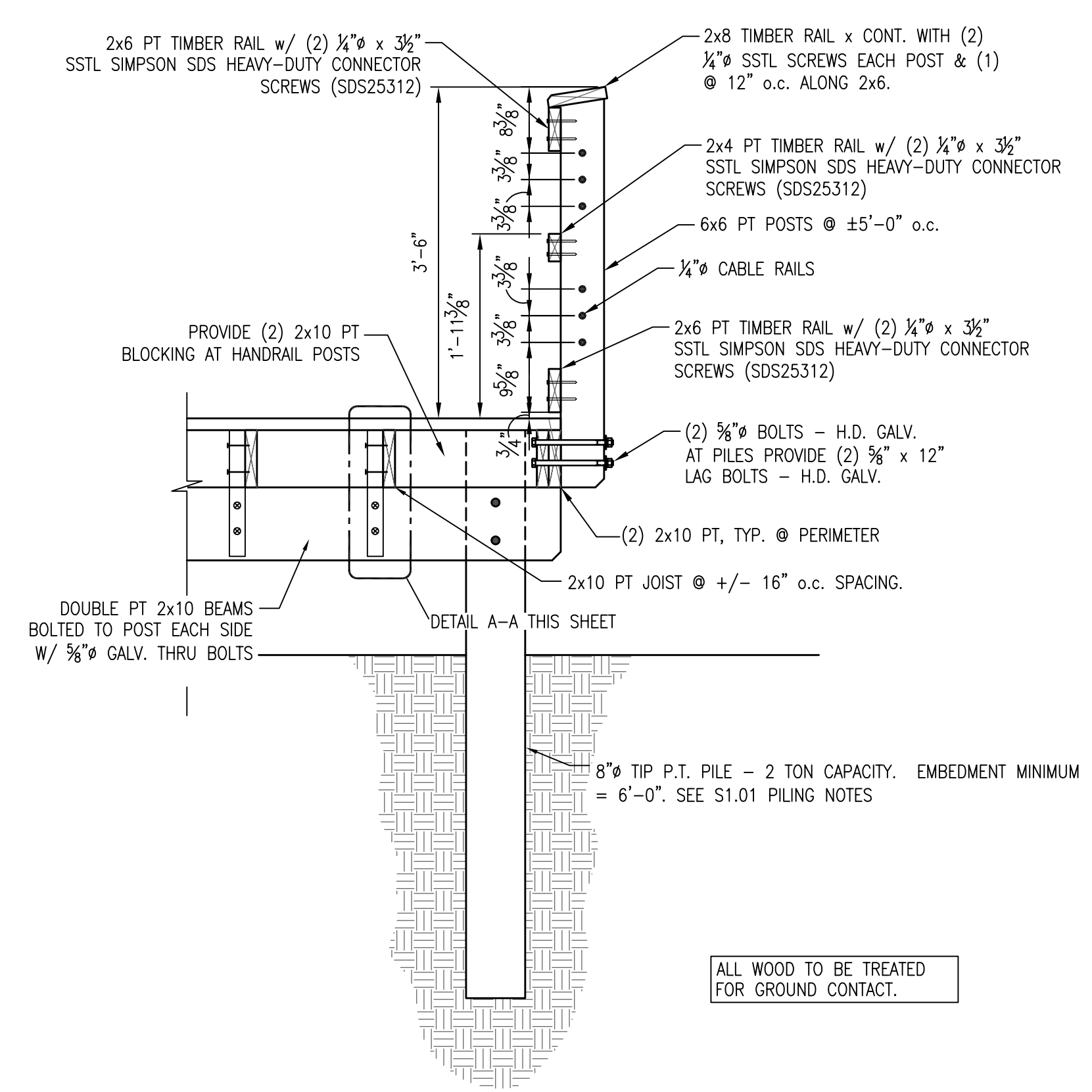
7/21/2022	▲ Addendum #2

**Wetland
 Overlook Deck**

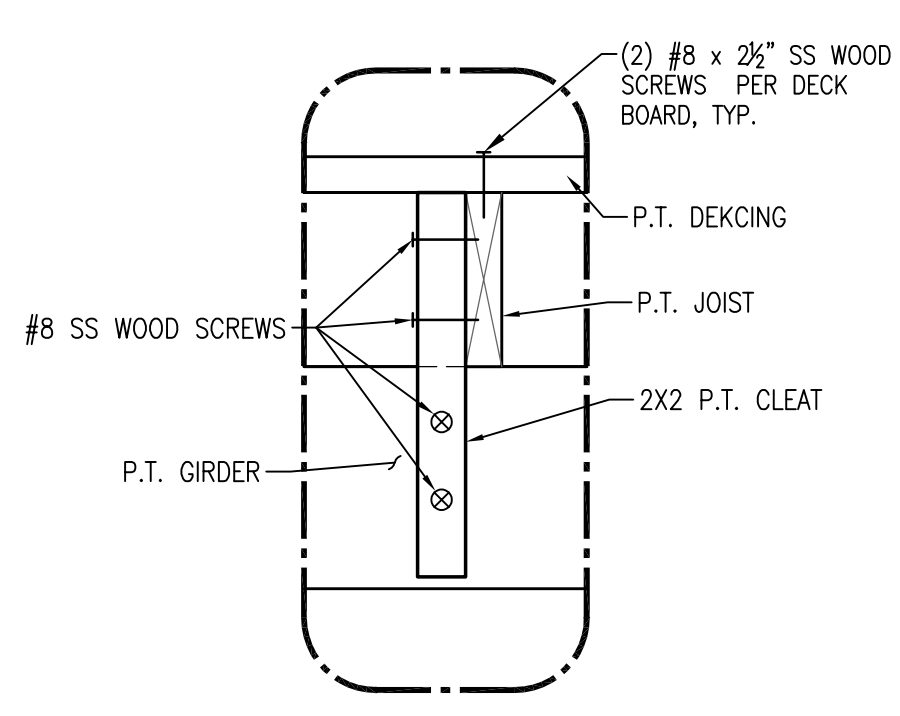
HANOVER PINES PARK
 WETLAND WOODEN WALKWAY
 WILMINGTON, NC

File name:
 S2.01.dwg

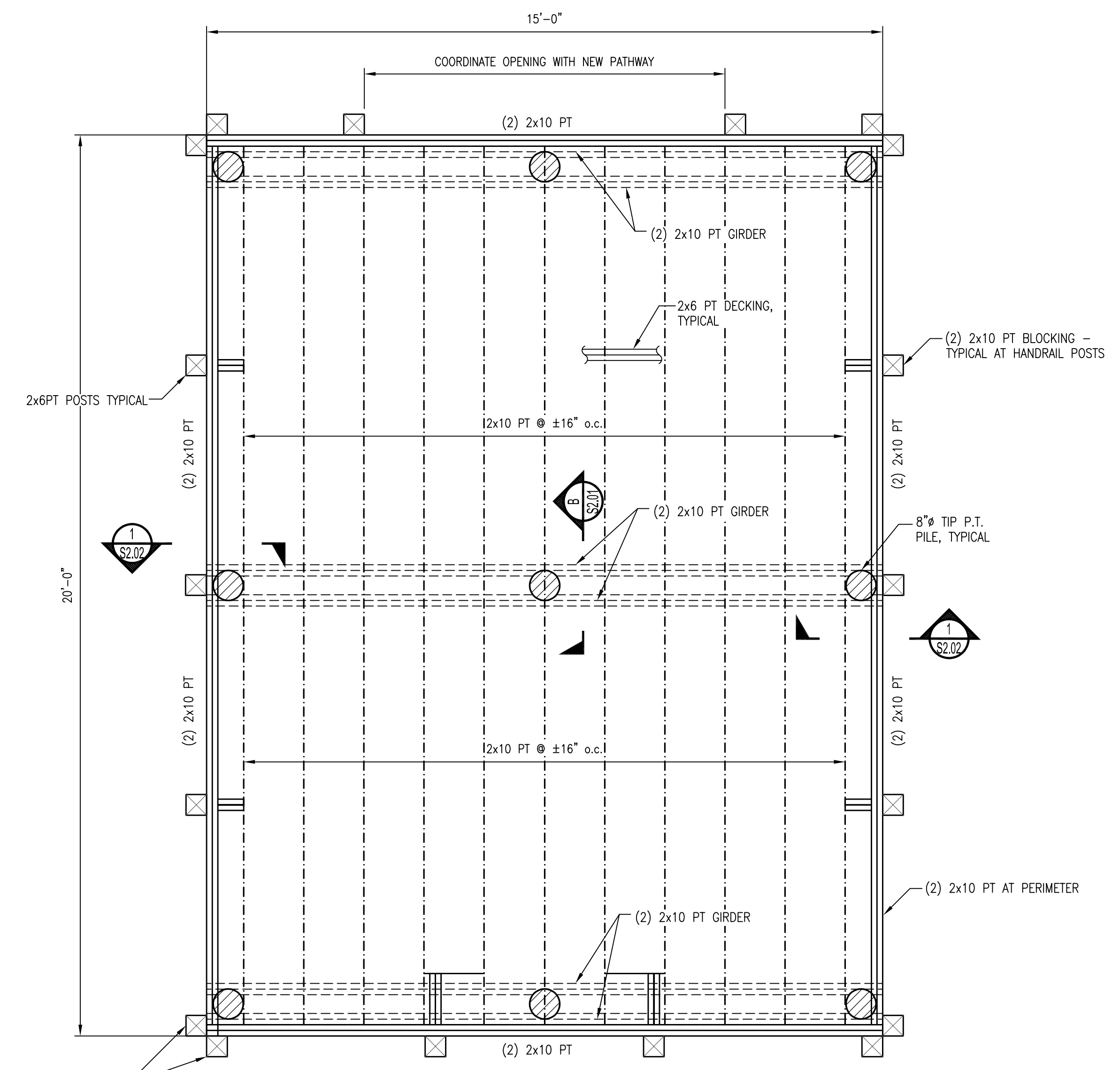
▲ **S2.02**



**BOARDWALK FRAMING
 SECTION 1-1**
 SCALE: 3/4" = 1'-0"



DETAIL A-A
 SCALE: 1-1/2" = 1'-0"



**WETLAND OBSERVATION DECK
 FRAMING PLAN**
 SCALE: 1/2" = 1'-0"